

**We care about your
machine safety and efficiency!**

UKS
SINCE 2005 FROM CHINA



V-Sealing

CATALOGUE

We prove that dealer is authorized by UKS to sale the series industrial sealing products, and the products we sell are all the certified and quality produces

SINCE 2005 FROM CHINA
Beijing United Industrial Sealing Technology Co.,LTD.
[HTTP://WWW.UKSOILSEALS.COM](http://www.uksoilseals.com)
JANNE VICOSE INDUSTRY CO., LTD.
[HTTP://WWW.JANNEVICOSE.COM](http://www.jannevicose.com)





UKS
SINCE 2005 FROM CHINA



We firmly believe that the development of industrial technology is endless, and there is no end to quality and customer service.

To achieve the ideal and pursuit of perfection, UKS never stops.

As long as the world is making progress, you can see that UKS is diligent and dedicated.

DESIGN IN CHINA BEIJING THE INTERNET Nr.302014034200



Convenient ordering

The most direct way of supply

Without intermediate links is the direct marketing terminal sales model

Same day delivery

We have some items with quick shipping, scientific guarantee supply efficiency

Fast delivery

The fastest next-day delivery, and efficient working mode, so that you have unlimited business opportunities

Quality & Technology

Excellent raw materials create noble quality

Good quality rubber refining, highly intelligent equipment CNC production procedures, and quality requirements

Technology derived from superb theoretical practice
Global customer trust and tireless quality requirements

Confidence in service

For quality, we dare to promise, dare to face, dare to climb the technical peak in the service

WMS(Warehouse Management System)

Stylized assisted management

The typical representative of information management, the pioneer of systematic management practice

Modern service, fashion management

Make industry into fashion, regard parts as handicrafts, to win your rare trust

Sincere team facing the same goal

The existence of the same reasonable goal makes team members invincible



Feelings of the information age Feast

So that efficient management of customer orders used to guide

Fast processing orders

适用于CPU: P41. 6G以上; 内存: 512M以上; 系统: windows98/MW/XP/VISTA
请登录公司网站: www.jannevicose.com GS-201012-01



Industrial Co., Ltd. of JANNE VICESE

Introduction: Industrial Co., Ltd. Of JANNE VICESE was invested in the mainland of China in 2008, with industrial area of 12,300 square meters, and construction area of 6,200 factories and office buildings. The environment of the area with green area more than 48 and attractive landscapes is pretty elegant, and vigorous.

JANNE VICESE is an enterprise by production and trade of professional rubber seals, automobile and motorcycle parts and accessories hydraulic transmission parts. Among its production, the brands of UKS seal series are well-known. They are widely used in mining, machinery manufacturing and other industries. JANNE VICESE provides accessories many years to major companies for several years, and, therefore, has been greatly trusted by numerous mechanical equipment manufacturing and automobile manufacturing enterprises.

JANNE VICOSE is always advocating quality, putting "heartfelt quality, excellence" as their absolute standards of conduct, comprehensively maintaining the development space of a brand. Let the sense of focusing on quality to win permanent trust by customers.

UKS
SINCE 2005 FROM CHINA

 **uks shaft seals**
Janne vicose industrial 2005

Leading the way in Technology & Quality

JANNE VICESE Industrial Co., Ltd., was invested in the mainland of China in 2008, with industrial area of 12,300 square meters, and construction area of 6,200 factories and office buildings.

The environment of the area with green area more than 48 and attractive landscapes is pretty elegant, and vigorous.

JANNE VICESE is an enterprise by production and trade of professional rubber seals, automobile and motorcycle parts and accessories hydraulic transmission parts.

Among its production, the brands of UKS seal series are well-known.

They are widely used in mining, machinery manufacturing and other industries.

JANNE VICESE provides accessories many years to major companies for several years, and, therefore,

has been greatly trusted by numerous mechanical equipment manufacturing and automobile manufacturing enterprises.



www.jannevicose.com



BRIEF INTRODUCTION ABOUT UKS

INTRDUCTION

Industrial Co., Ltd. Of JANNE VICOSE was invested in the mainland of China in 2005, with industrial area of 12,300 square meters, and construction area of 6,200 factories and office buildings. The environment of the area with green area more than 48 and attractive landscapes is pretty elegant, and vigorous.

JANNE VICOSE is an enterprise by production and trade of professional rubber seals, automobile and motorcycle parts and accessories hydraulic transmission parts. Among its production, the brands of UKS seal series are well-known. They are widely used in mining, machinery manufacturing and other industries. JANNE VICOSE provides accessories many years to major companies for several years, and, therefore, has been greatly trusted by numerous mechanical equipment manufacturing and automobile manufacturing enterprises.

ADVANTAGE

We have:

- 1.science researcher..... 25%
- 2.niccety equipments..... >33%
- 3.experiment equipments..... >12%
- 4.new product development(year)..... >13.7%

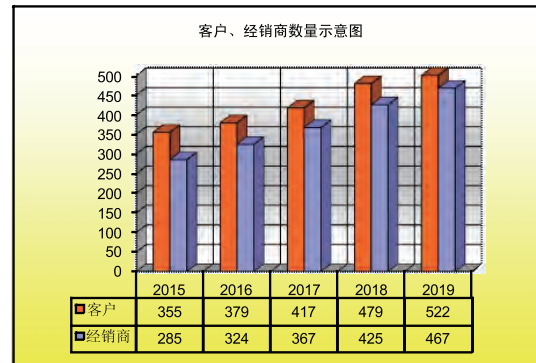
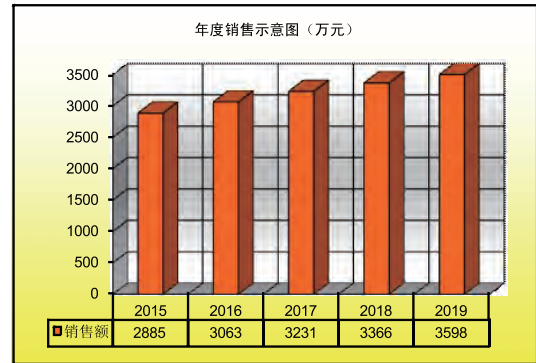
PR-CATEGORY

Oil sealing, bushings, o-ring&o-ring kits, D-, U-, V-, X-ring, engine gasket, rubber rproduct, valve stem seals, mechanical seals, heavy duty seals, and drill using, spool-using, buffer ring, dustproof, wear resistant ring et.

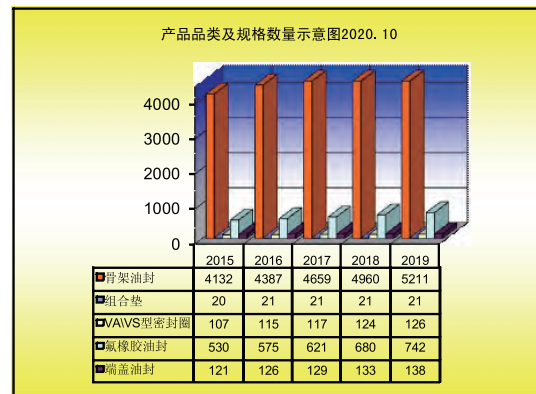
TECHNOLOGY

JANNE VICOSE has an excellent high-quality technology development team, who uses the most advanced computer software, and precisely plan and design every product. Our Company has openly professional enterprise laboratory, which is equipped with kinds of detection equipments and testing materials. They ensure the best technology to quality products; The technical engineering staff of the UKS devotes themselves to the need of each end customer, and adheres to professional standards being a technical staff.

DEVELOPMENT



DESIGN



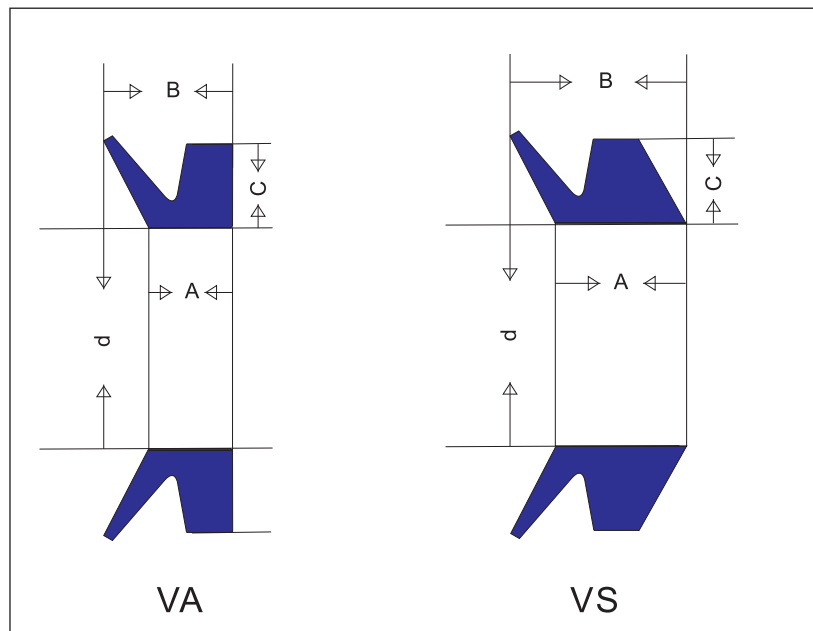
OUTLOOK

Perfect service to customers is of vital importance to any business; staff's service is the driving force for development. In the 21st century, JANNE VICOSE maintained the nature of the modern international enterprises in manufacturing and service; adhere to provide the most comprehensive services to each customer. We are looking forward to working with China and the world countries and the regions to conduct a comprehensive cooperation and common development.

Technology Application

V-shaped axial seal ring

The V-shaped axial seal diagram is an all-rubber oil seal, which is installed and held tightly on the rotating shaft and rotates with the rotation of the shaft. It is widely used in metallurgy, machine tools, mining, construction, environmental protection, electric power, and other industry machinery, and is used by the majority of mechanical design engineers, and a wide range of uses. It is mainly used to prevent the mixture of dust, water, or sludge from invading the transmission parts, and to help the sealing grease not leak, so that the bearing and the main seal can maintain a good working condition in a bad environment, thereby extending the working life.



Basic dimension parameters of V-type sealing ring

Technical characteristics of V-type axial sealing ring

1. Simple installation, strong adaptability. Because it is an all-rubber product, it can be installed after moderate stretching according to different shaft diameters
2. V-type sealing diagram, with a good flexible lip, good resilience, and small adhesion to the friction surface, the lip can adjust itself with the coordination of the contact surface, so the requirements for the friction surface are not very strict.
3. Due to the flexibility of the lip and the small Shore hardness of the rubber, it is generally allowed to run under dry conditions without grease.
4. Installation and disassembly are as convenient, especially the large V-type sealing ring, which can be connected by segmented hot vulcanization at the equipment installation or disassembly site.
5. Large size span, from 4.5 mm to 2000 mm in diameter, can be completely covered with seamless material selection

Material selection

The material requirements of the V-shaped axial sealing diagram need to consider the following physical properties:

1. Good wear resistance;
2. Excellent compressive deformation resilience;
3. Good scalability
4. Good aging resistance and high-temperature resistance

Rubber type	Rubber coding	Rubber characteristics
Nitrile butadiene rubber	NBR55B	The commonly used V-shaped steering seal ring is specially made
Nitrile butadiene rubber	NBR65BL	The V-type sealing ring is specially made under the condition of general high temperature and high speed
Fluoro rubber	FKM7033	Customized for high-temperature environment or acid environment
Epdm rubber	EPDM65G	Customized for weather resistance under special conditions and special chemicals such as ozone

Technology Application

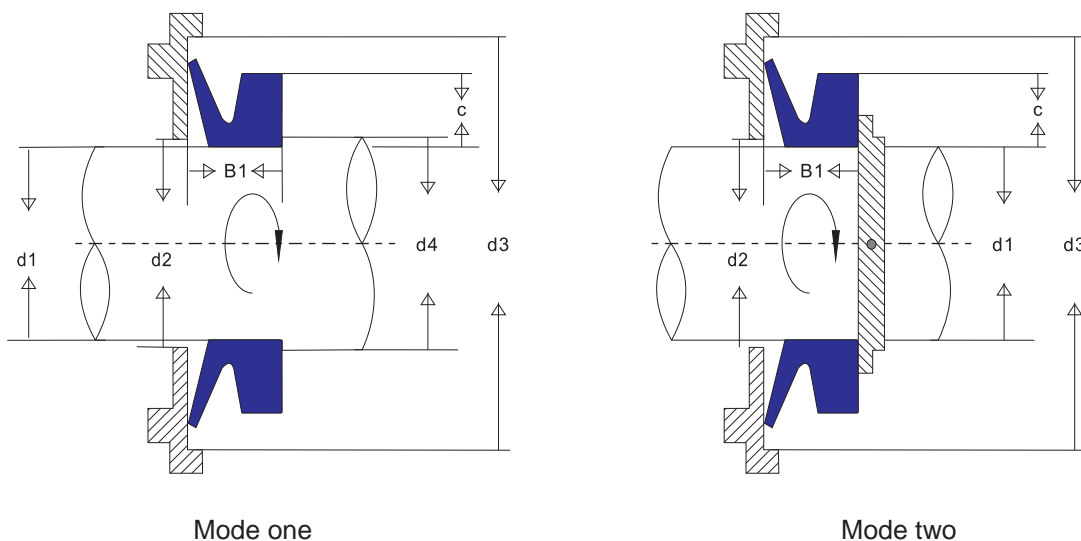
Installation notice

1. Requirements for shafts

The V-type axial seal ring is tightly held on the shaft and rotates coaxially together, so it is very loose on the diameter tolerance of the shaft, the machining roughness of the shaft, and the surface treatment requirements. However, when selecting the seal ring according to the shaft diameter, it needs to be selected according to the size marked in the specification size table.

2. Installation and positioning of the sealing ring

In the working conditions of the sealing ring, when grease or lubricating oil is involved, attention must be paid to the installation and positioning of the sealing ring. That is, the need to install the cavity or positioning of the support, such an arrangement helps the sealing ring reasonable and scientific installation in place. Please refer to the following table for specific processing suggestions:



3. When installing the V-ring, the V-ring and shaft should be kept clean without grease or oil coating

4. At the lip of the V-ring, a small amount of low-friction grease or lubricating oil film should be coated.

5. There are cases where V-shaped sealing rings are installed to an extent, and the installation cavity or position is too compact, resulting in the sealing ring lip and contact surface pressure being too tight and damaged in advance, it is recommended that attention should be paid to the size of B and B1.

6. When installing large V-shaped seals, they should be evenly stretched. It is recommended that after installation, insert the blunt screwdriver and make a circle around the shaft to ensure that the V-shaped sealing ring is evenly installed


Note: if the mechanical design, does not involve the use of a sealing ring used in sliding conditions, can not add any axial support.

Large size V-shaped sealing

1. The clamping collar can be used to locate the sealing ring in the large-size V-type sealing diagram

2. For large equipment that is not convenient to disassemble, or equipment that cannot be disassembled for a long time, you can choose to cut V-shaped seals, and then vulcanize them around the shaft, or even cut them in sections and vulcanize them again.

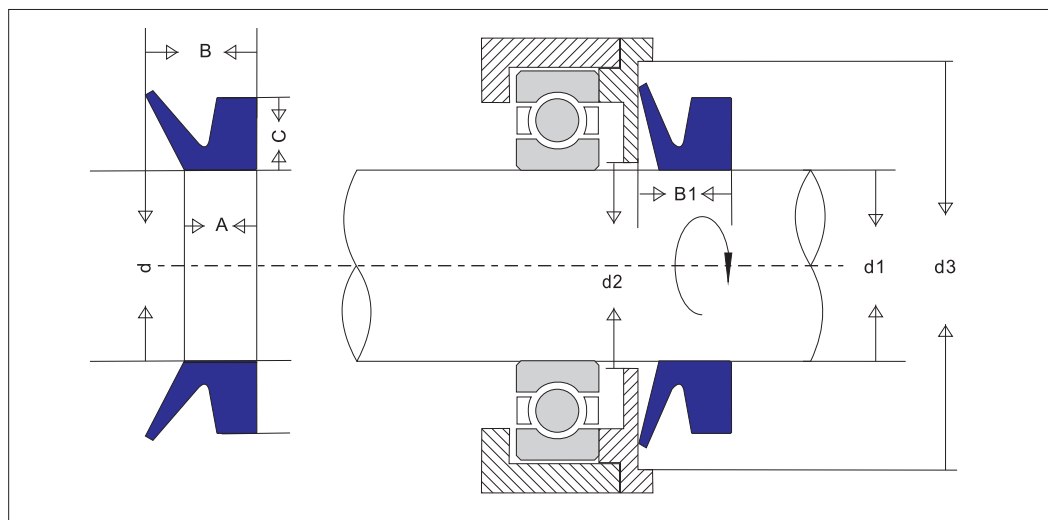
3. Because the V-type sealing ring is a holographic rubber product, improper distortion, and improper lip pressure loss are found during the transport wheel and storage process. In this way, although it can be ignored for a short time, the compression deformation of rubber may be permanent under long-term action.

 This product draws on international standards for similar products and also draws on JB/T 6994-1993.

Specification table 2024



⊗ V-A Axial sealing ring dimension marking drawing



⊗ V-A Axial sealing ring specification size table (mm)

Seal ring code	Oil seal inner diameter d	Applicable shaft diameter d1	Section size C	Section size A	Free width B	Max size d2	Minimum size d3	Installation width B1	Price
V-3A	2.5	2.7~3.5	1.5	2.1	3.0	d1+1	d1+4	2.5±0.3	1.30
V-4A	3.2	3.5~4.5	2	2.4	3.7	d1+1	d1+6	3.0±0.4	1.30
V-5A	4	4.5~5.5	2	2.4	3.7	d1+1	d1+6	3.0±0.4	1.30
V-6A	5	5.5~6.5	2	2.4	3.7	d1+1	d1+6	3.0±0.4	1.30
V-7A	6	6.5~8.0	2	2.4	3.7	d1+1	d1+6	3.0±0.4	1.30
V-8A	7	8.0~9.5	2	2.4	3.7	d1+1	d1+6	3.0±0.4	1.30
V-10A	9	9.5~11.5	3	3.4	5.5	d1+1	d1+9	4.5±0.6	1.30
V-12A	10.5	11.5~12.5	3	3.4	5.5	d1+1	d1+9	4.5±0.6	1.30
V-13A	11.7	12.5~13.5	3	3.4	5.5	d1+1	d1+9	4.5±0.6	1.30
V-14A	12.5	13.5~15.5	3	3.4	5.5	d1+1	d1+9	4.5±0.6	1.30
V-16A	14	15.5~17	3	3.4	5.5	d1+1	d1+9	4.5±0.6	1.30
V-18A	16	17.5~19	3	3.4	5.5	d1+1	d1+9	4.5±0.6	1.30

Specification table 2024

⊗ V-A Axial sealing ring specification size table (mm)

Seal ring code	Oil seal inner diameter d	Applicable shaft diameter d1	Section size C	Section size A	Free width B	Max size d2	Minimum size d3	Installation width B1	Price
V-20A	18	19~21	4	4.7	7.5	d1+2	d1+12	6.0±0.8	1.40
V-22A	20	21~24	4	4.7	7.5	d1+2	d1+12	6.0±0.8	1.40
V-25A	22	24~27	4	4.7	7.5	d1+2	d1+12	6.0±0.8	1.50
V-28A	25	27~29	4	4.7	7.5	d1+2	d1+12	6.0±0.8	1.50
V-30A	27	29~31	4	4.7	7.5	d1+2	d1+12	6.0±0.8	1.60
V-32A	29	31~33	4	4.7	7.5	d1+2	d1+12	6.0±0.8	1.60
V-35A	31	33~36	4	4.7	7.5	d1+2	d1+12	6.0±0.8	1.80
V-38A	34	36~38	4	4.7	7.5	d1+2	d1+12	6.0±0.8	2.10
V-40A	36	38~43	5	5.5	9.0	d1+2	d1+15	7.0±1.0	2.40
V-45A	40	43~48	5	5.5	9.0	d1+2	d1+15	7.0±1.0	2.60
V-50A	45	48~53	5	5.5	9.0	d1+2	d1+15	7.0±1.0	2.80
V-55A	49	53~58	5	5.5	9.0	d1+2	d1+15	7.0±1.0	3.10
V-60A	54	58~63	5	5.5	9.0	d1+2	d1+15	7.0±1.0	3.40
V-65A	58	63~68	5	5.5	9.0	d1+2	d1+15	7.0±1.0	3.80
V-70A	63	68~73	6	6.8	11.0	d1+3	d1+18	9.0±1.2	4.50
V-75A	67	73~78	6	6.8	11.0	d1+3	d1+18	9.0±1.2	5.00
V-80A	72	78~83	6	6.8	11.0	d1+3	d1+18	9.0±1.2	5.50
V-85A	76	83~88	6	6.8	11.0	d1+3	d1+18	9.0±1.2	6.00
V-90A	81	88~93	6	6.8	11.0	d1+3	d1+18	9.0±1.2	7.00
V-95A	85	93~98	6	6.8	11.0	d1+3	d1+18	9.0±1.2	8.00
V-100A	90	98~105	6	6.8	11.0	d1+3	d1+18	9.0±1.2	9.00
V-110A	99	105~115	7	7.9	12.8	d1+4	d1+21	10.5±1.5	10.00
V-120A	108	115~125	7	7.9	12.8	d1+4	d1+21	10.5±1.5	12.00
V-130A	117	125~135	7	7.9	12.8	d1+4	d1+21	10.5±1.5	13.00

Specification table 2024

⊗ V-A Axial sealing ring specification size table (mm)

Seal ring code	Oil seal inner diameter d	Applicable shaft diameter d1	Section size C	Section size A	Free width B	Max size d2	Minimum size d3	Installation width B1	Price
V-140A	126	135 ~ 145	7	7.9	12.8	d1+4	d1+21	10.5±1.5	14.00
V-150A	135	145 ~ 155	7	7.9	12.8	d1+4	d1+21	10.5±1.5	15.00
V-160A	144	155 ~ 165	8	9.0	14.5	d1+4	d1+24	12.0±1.8	16.00
V-170A	153	165 ~ 175	8	9.0	14.5	d1+4	d1+24	12.0±1.8	19.00
V-180A	162	175 ~ 185	8	9.0	14.5	d1+4	d1+24	12.0±1.8	22.00
V-190A	171	185 ~ 195	8	9.0	14.5	d1+4	d1+24	12.0±1.8	26.00
V-199A	180	195 ~ 210	8	9.0	14.5	d1+4	d1+24	12.0±1.8	28.00
V-200A	180	190 ~ 210	15	14.3	25.0	d1+10	d1+45	20.0±4.0	32.00
V-220A	198	210 ~ 235	15	14.3	25.0	d1+10	d1+45	20.0±4.0	35.00
V-250A	225	235 ~ 265	15	14.3	25.0	d1+10	d1+45	20.0±4.0	55.00
V-275A	247	265 ~ 290	15	14.3	25.0	d1+10	d1+45	20.0±4.0	73.00
V-300A	270	290 ~ 310	15	14.3	25.0	d1+10	d1+45	20.0±4.0	89.00
V-325A	292	310 ~ 335	15	14.3	25.0	d1+10	d1+45	20.0±4.0	105.00
V-350A	315	335 ~ 365	15	14.3	25.0	d1+10	d1+45	20.0±4.0	120.00
V-375A	337	365 ~ 390	15	14.3	25.0	d1+10	d1+45	20.0±4.0	145.00
V-400A	360	390 ~ 430	15	14.3	25.0	d1+10	d1+45	20.0±4.0	160.00
V-450A	405	430 ~ 480	15	14.3	25.0	d1+10	d1+45	20.0±4.0	210.00
V-500A	450	480 ~ 530	15	14.3	25.0	d1+10	d1+45	20.0±4.0	280.00
V-550A	495	530 ~ 580	15	14.3	25.0	d1+10	d1+45	20.0±4.0	380.00
V-600A	540	580 ~ 630	15	14.3	25.0	d1+10	d1+45	20.0±4.0	420.00
V-650A	600	630 ~ 665	15	14.3	25.0	d1+10	d1+45	20.0±4.0	500.00
V-700A	630	665 ~ 705	15	14.3	25.0	d1+10	d1+45	20.0±4.0	600.00
V-725A	670	705 ~ 745	15	14.3	25.0	d1+10	d1+45	20.0±4.0	660.00
V-750A	705	745 ~ 785	15	14.3	25.0	d1+10	d1+45	20.0±4.0	720.00
V-800A	745	785 ~ 830	15	14.3	25.0	d1+10	d1+45	20.0±4.0	780.00

Specification table 2024

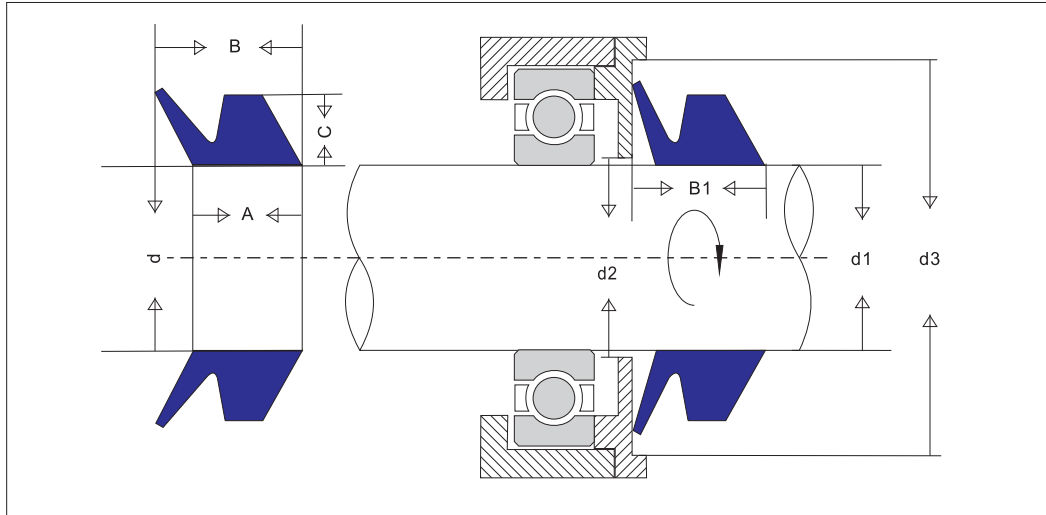
⊗ V-A Axial sealing ring specification size table (mm)

Seal ring code	Oil seal inner diameter d	Applicable shaft diameter d1	Section size C	Section size A	Free width B	Max size d2	Minimum size d3	Installation width B1	Price
V-850A	785	830~875	15	14.30	25.0	d1+10	d1+45	20.0±4.0	880.00
V-900A	825	875~920	15	14.30	25.0	d1+10	d1+45	20.0±4.0	920.00
V-950A	865	920~965	15	14.30	25.0	d1+10	d1+45	20.0±4.0	980.00
V-1000A	910	965~1015	15	14.30	25.0	d1+10	d1+45	20.0±4.0	1050.00
V-1050A	955	1015~1065	15	14.30	25.0	d1+10	d1+45	20.0±4.0	1100.00
V-1100A	1000	1065~1115	15	14.30	25.0	d1+10	d1+45	20.0±4.0	1180.00
V-1150A	1045	1115~1165	15	14.30	25.0	d1+10	d1+45	20.0±4.0	1250.00
V-1200A	1090	1165~1215	15	14.30	25.0	d1+10	d1+45	20.0±4.0	1310.00
V-1250A	1135	1215~1270	15	14.30	25.0	d1+10	d1+45	20.0±4.0	1380.00
V-1300A	1180	1270~1320	15	14.30	25.0	d1+10	d1+45	20.0±4.0	1460.00
V-1350A	1225	1320~1370	15	14.30	25.0	d1+10	d1+45	20.0±4.0	1500.00
V-1400A	1270	1370~1420	15	14.30	25.0	d1+10	d1+45	20.0±4.0	1580.00
V-1450A	1315	1420~1470	15	14.30	25.0	d1+10	d1+45	20.0±4.0	1680.00
V-1500A	1360	1470~1520	15	14.30	25.0	d1+10	d1+45	20.0±4.0	1790.00
V-1550A	1405	1520~1570	15	14.30	25.0	d1+10	d1+45	20.0±4.0	1850.00
V-1600A	1450	1570~1620	15	14.30	25.0	d1+10	d1+45	20.0±4.0	1920.00
V-1650A	1495	1620~1670	15	14.30	25.0	d1+10	d1+45	20.0±4.0	1990.00
V-1700A	1540	1670~1720	15	14.30	25.0	d1+10	d1+45	20.0±4.0	2080.00
V-1750A	1585	1720~1770	15	14.30	25.0	d1+10	d1+45	20.0±4.0	2140.00
V-1800A	1630	1770~1820	15	14.30	25.0	d1+10	d1+45	20.0±4.0	2200.00
V-1850A	1675	1820~1870	15	14.30	25.0	d1+10	d1+45	20.0±4.0	2320.00
V-1900A	1720	1870~1920	15	14.30	25.0	d1+10	d1+45	20.0±4.0	2400.00
V-1950A	1765	1920~1970	15	14.30	25.0	d1+10	d1+45	20.0±4.0	2490.00
V-2000A	1810	1970~2020	15	14.30	25.0	d1+10	d1+45	20.0±4.0	2600.00

For special specifications, please consult the UKS commercial staff

Specification table 2024

⊗ V-S Axial sealing ring dimension marking drawing



⊗ V-S Axial sealing ring specification size table (mm)

Seal ring code	Oil seal inner diameter d	Applicable shaft diameter d1	Section size C	Section size A	Free width B	Max size d2	Minimum size d3	Installation width B1	Price
V-5S	4	4.5~5.5	2	3.9	5.2	d1+1	d1+6	4.5±0.4	1.70
V-6S	5	5.5~6.5	2	3.9	5.2	d1+1	d1+6	4.5±0.4	1.70
V-7S	6	6.5~8.0	2	3.9	5.2	d1+1	d1+6	4.5±0.4	1.70
V-8S	7	8.0~9.5	2	3.9	5.2	d1+1	d1+6	4.5±0.4	1.70
V-10S	9	9.5~11.5	3	5.6	7.7	d1+1	d1+9	6.7±0.6	1.70
V-12S	10.5	11.5~12.5	3	5.6	7.7	d1+1	d1+9	6.7±0.6	1.70
V-14S	12.5	13.5~15.5	3	5.6	7.7	d1+1	d1+9	6.7±0.6	1.70
V-16S	14	15.5~17	3	5.6	7.7	d1+1	d1+9	6.7±0.6	1.70
V-18S	16	17.5~19	3	5.6	7.7	d1+1	d1+9	6.7±0.6	1.80
V-20S	18	19~21	4	7.9	10.5	d1+2	d1+12	9.0±0.8	1.80
V-22S	20	21~24	4	7.9	10.5	d1+2	d1+12	9.0±0.8	1.80
V-25S	22	24~27	4	7.9	10.5	d1+2	d1+12	9.0±0.8	1.80

Specification table 2024

⊗ V-S Axial sealing ring specification size table (mm)

Seal ring code	Oil seal inner diameter d	Applicable shaft diameter d1	Section size C	Section size A	Free width B	Max size d2	Minimum size d3	Installation width B1	Price
V-28S	25	27~29	4	7.9	10.5	d1+2	d1+12	9.0±0.8	1.80
V-30S	27	29~31	4	7.9	10.5	d1+2	d1+12	9.0±0.8	1.80
V-32S	29	31~33	4	7.9	10.5	d1+2	d1+12	9.0±0.8	1.80
V-35S	31	33~36	4	7.9	10.5	d1+2	d1+12	9.0±0.8	1.90
V-38S	34	36~38	4	7.9	10.5	d1+2	d1+12	9.0±0.8	2.00
V-40S	36	38~43	5	9.5	13.0	d1+2	d1+15	11.0±1.0	2.20
V-45S	40	43~48	5	9.5	13.0	d1+2	d1+15	11.0±1.0	2.40
V-50S	45	48~53	5	9.5	13.0	d1+2	d1+15	11.0±1.0	2.80
V-55S	49	53~58	5	9.5	13.0	d1+2	d1+15	11.0±1.0	3.20
V-60S	54	58~63	5	9.5	13.0	d1+2	d1+15	11.0±1.0	3.40
V-65S	58	63~68	5	9.5	13.0	d1+2	d1+15	11.0±1.0	3.80
V-70S	63	68~73	6	11.0	15.5	d1+3	d1+18	13.5±1.2	5.20
V-75S	67	73~78	6	11.0	15.5	d1+3	d1+18	13.5±1.2	5.60
V-80S	72	78~83	6	11.0	15.5	d1+3	d1+18	13.5±1.2	6.50
V-85S	76	83~88	6	11.0	15.5	d1+3	d1+18	13.5±1.2	7.80
V-90S	81	88~93	6	11.0	15.5	d1+3	d1+18	13.5±1.2	8.50
V-95S	85	93~98	6	11.0	15.5	d1+3	d1+18	13.5±1.2	9.80
V-100S	90	98~105	6	11.0	15.5	d1+3	d1+18	13.5±1.2	10.50
V-110S	99	105~115	7	12.8	18.0	d1+4	d1+21	15.5±1.5	11.20
V-120S	108	115~125	7	12.8	18.0	d1+4	d1+21	15.5±1.5	12.60
V-130S	117	125~135	7	12.8	18.0	d1+4	d1+21	15.5±1.5	14.00
V-140S	126	135~145	7	12.8	18.0	d1+4	d1+21	15.5±1.5	15.50
V-150S	135	145~155	7	12.8	18.0	d1+4	d1+21	15.5±1.5	16.80


Specification table 2024

 V-S Axial sealing ring specification size table (mm)

Seal ring code	Oil seal inner diameter d	Applicable shaft diameter d1	Section size C	Section size A	Free width B	Max size d2	Minimum size d3	Installation width B1	Price
V-160S	144	155~165	8	15.0	20.5	d1+4	d1+24	18.0±1.8	19.00
V-170S	153	165~175	8	15.0	20.5	d1+4	d1+24	18.0±1.8	22.40
V-180S	162	175~185	8	15.0	20.5	d1+4	d1+24	18.0±1.8	25.20
V-190S	171	185~195	8	15.0	20.5	d1+4	d1+24	18.0±1.8	30.80
V-199S	180	195~210	8	15.0	20.5	d1+4	d1+24	18.0±1.8	33.60

For special specifications, please consult the UKS commercial staff

Raw materials are the quality basis of sealing elements

 Raw materials are the quality basis of sealing elements:

How to choose the raw material, is key for the service life of the sealing elements.

This reflects the value orientation of an enterprise, different market settings. With different demands for quality, UKS has been pursuing high quality and high standard, strictly checking, globally broadening unlimited vision, seeking noble quality as the primary purpose in the selection of raw materials. Those make the high standard level of UKS brand.

 Material technology development and unlimited possibilities application expansion:

How to choose the raw material, is key for the service life of the sealing elements. Possessing a considerable level of R & D technology refine mixing is necessary. Rubber products are a polymer chemical technology application, the polymerization of molecules determines the function and endurance of the finished product. With the thoughts of selecting high quality raw materials, the UKS technology research group bases on the molecular structure and practicability can be targeted, and continues to innovate and make progress in pursuit of product perfection to meet different customer needs, different use environments, different practical application of different industries. The group has achieved a lot and has gained a good reputation from customers.

 Strict management of the production procedure is quality assurance:

For the processing technique of rubber products, different people have different views. At different stages of technological development, different views exist.

However, UKS processing management system, with rigorous scientific attitude, pursues simple management mode in the substantive stage of production, and has been closely analyzed unforeseen events at each production stage. UKS buys the most suitable high-tech equipment from production units through cooperative production customization and production program, monitors every second production change on sulfur, thus has reached the highest standard of the industry.

Quality

Service

Competition Development

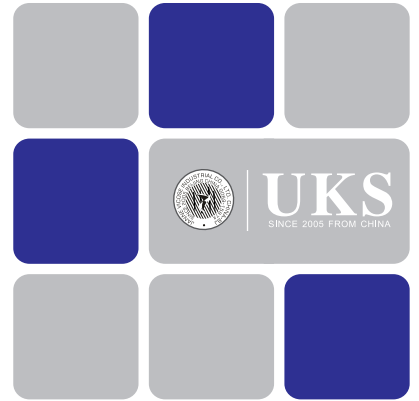
Let time prove that choosing our products and services is the right decision.

The work of all UKS employees will make you clearly feel that time and wealth are at your fingertips.

We firmly believe that UKS's reputation is not the accumulation of numbers, but the word of mouth from numerous global customers.



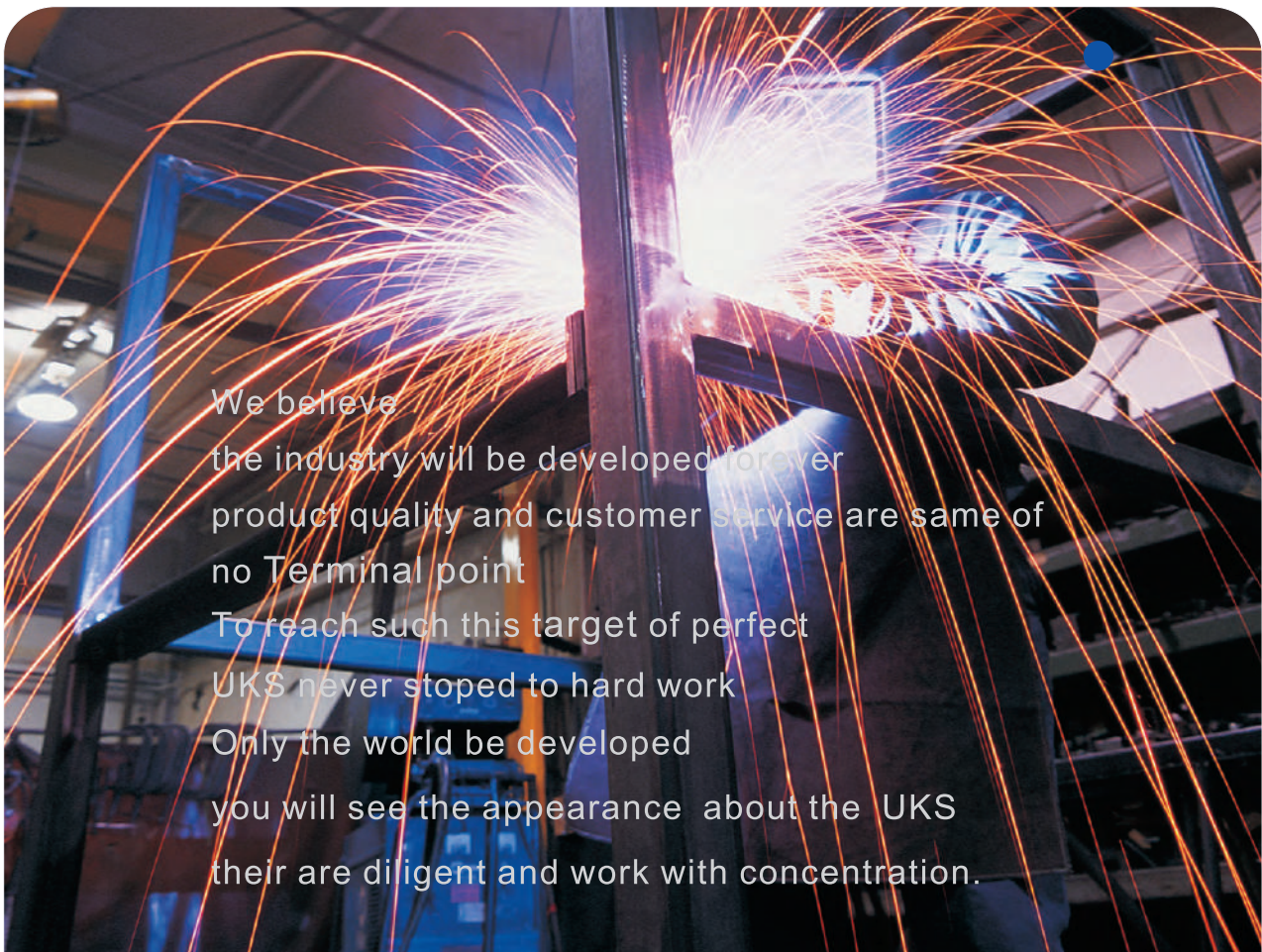
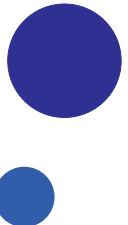
Janne vicost industrial 2005



- Spot inventory ✖
- Excellent service ✖
- Professional partner ✖



Ac design/10-12-0605



We believe
the industry will be developed forever
product quality and customer service are same of
no Terminal point
To reach such this target of perfect
UKS never stoped to hard work
Only the world be developed
you will see the appearance about the UKS
their are diligent and work with concentration.

We prove that dealer is authorized by UKS to sale the
series industrial sealing products, and the products we
sell are all the certified and quality produces

SINCE 2005 FROM CHINA
Beijing United Industrial Sealing Technology Co.,LTD.
[HTTP://WWW.UKSOILSEALS.COM](http://www.uksoilseals.com)
JANNE VICOSE INDUSTRY CO., LTD.
[HTTP://WWW.JANNEVICOSE.COM](http://www.jannevicose.com)

